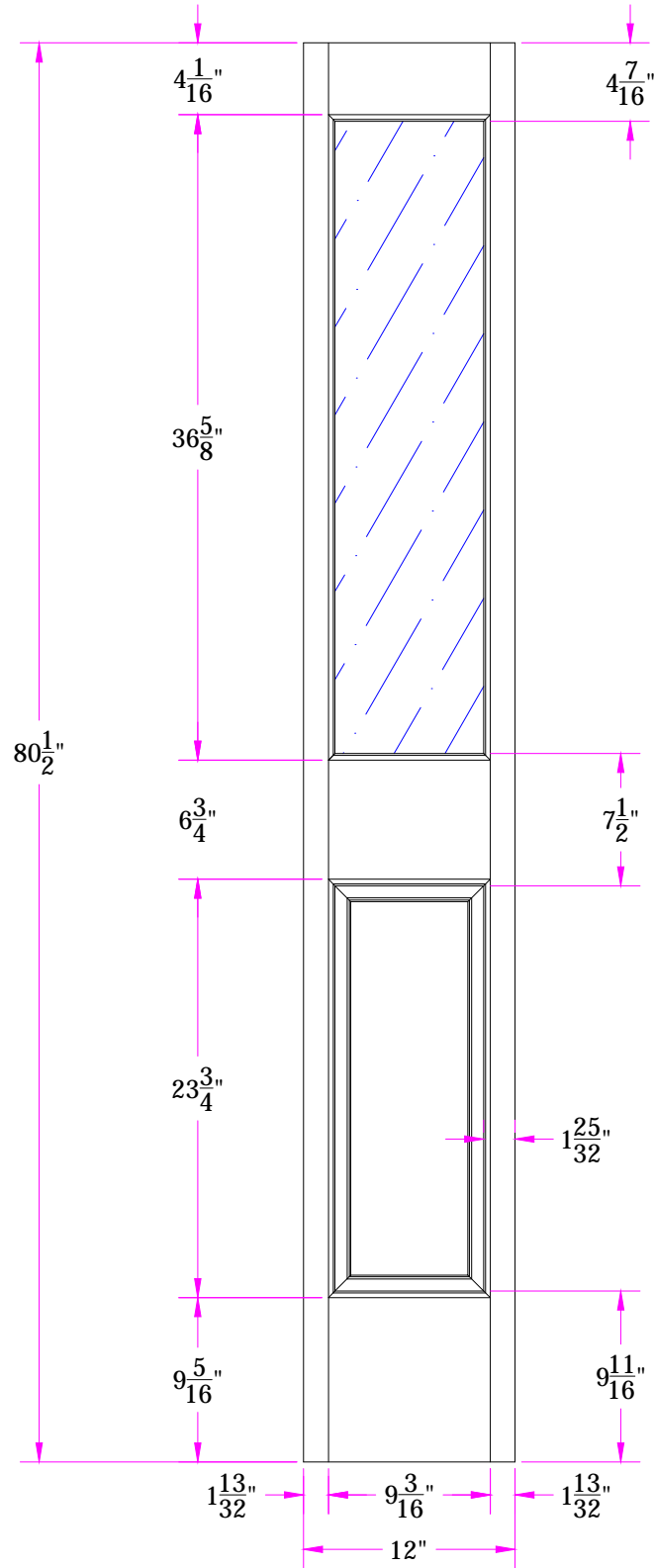


Quote #

0000000



THIS DRAWING AND THE INFORMATION CONTAINED HEREIN IS PROPRIETARY TO SIMPSON DOOR COMPANY AND SHALL NOT BE REPRODUCED, COPIED OR DISCLOSED IN WHOLE OR PART, OR USED FOR MANUFACTURE OR FOR ANY OTHER PURPOSE WITHOUT THE WRITTEN PERMISSION OF SIMPSON DOOR COMPANY.

TITLE **4235 1/0 x 6/8.5**
Customer Layout

DRAWING NO. **S-4235-100-608.5-0300**

Revisions			
Rev. #	Description	Date	by Whom

LAYOUT 00	SCALE NTS	PATTERN # 203
DRAWN BY: J. Decker		DATE 03/14/05

Simpson®